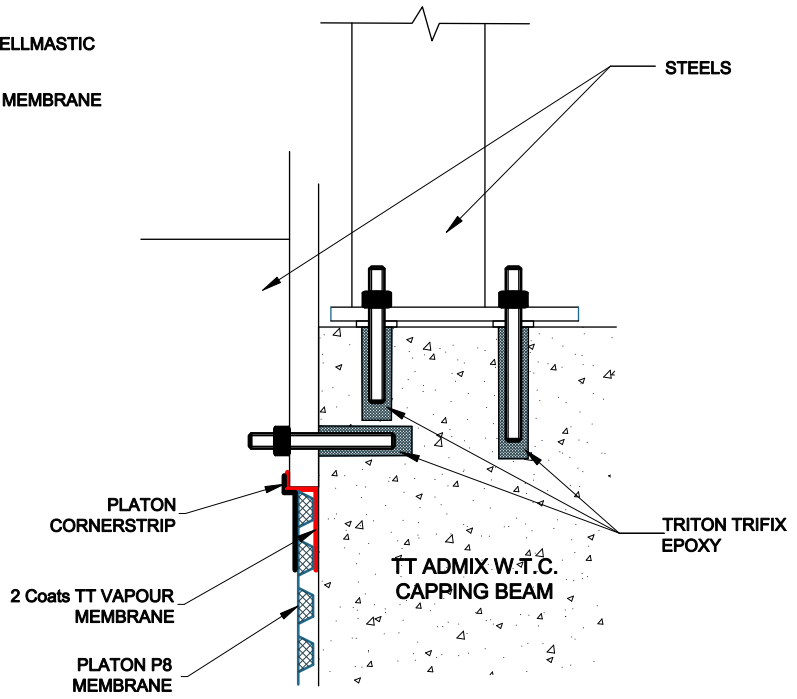


1. Waterproofing Detail Bolted Column To Floor



2. Waterproofing Detail Steel To Capping Beam



www.tritonsystems.co.uk

Triton Systems

Units 3 - 5 Crayford Commercial Centre
Greyhound Way, Crayford, Kent. DA1 4HF

Telephone: **01322 318830**

Fax: **01322 524017**

Email: **info@tritonsystems.co.uk**

Web: **www.tritonsystems.co.uk**

THIS DRAWING IS THE PROPERTY OF TRITON SYSTEMS AND MUST NOT BE LOANED OR COPIED WITHOUT PRIOR WRITTEN CONSENT
© 2011 TRITON SYSTEMS

NOTE
ALL INSTALLATION TO BE CARRIED OUT IN STRICT ACCORDANCE WITH MANUFACTURERS INSTALLATION INSTRUCTIONS. FOR FURTHER ASSISTANCE CONTACT TRITON TECHNICAL ON THE TELEPHONE NUMBER ABOVE.

REV.	MOD. BY	DATE	CHK. BY	APP. BY
------	---------	------	---------	---------

Alterations

TITLE: Waterproofing Only Details
Steel Columns/Bolts To TT Admix
Concrete Floors & Capping Beam
Through Combined System

DRG. No.	TWS-080-1(D)	REV	2
-----------------	---------------------	------------	----------

DRAWN	JDF, CBS	System Files:
DATE	28th August 2009	
SCALE (A3)	Not To Scale	TWS-080-1(D).pdf
CHECKED		TWS-80-1(D).dwg
APPROVED		